



3000 CAPACITY

www.PalletTruck.com

1-800-350-0011

WESLEY INTERNATIONAL

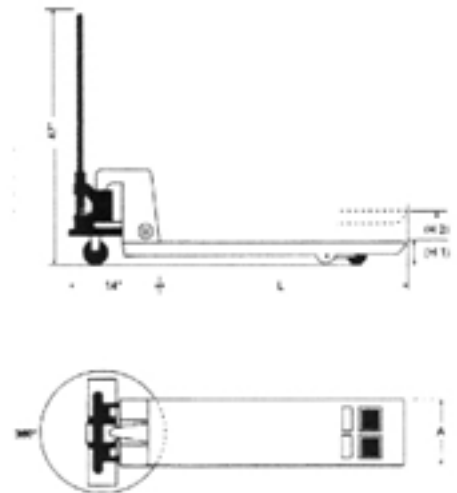
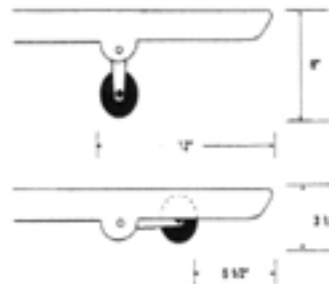
SINGLE FORK

Features:

- 4 x 2 Phenolic casters for easy steering
- Dual load wheels, single wheel on 6" fork.
- Load Stabilizer Bar, 25" on 12" fork, 22" on 9 or 6" fork.
- Solid 1 x 2" push rods for strength.
- One-piece cast ductile iron load wheel forks.
- One-piece ductile iron pump housing, no welds to break or leak.

Fork Width (A)	Max Length (L)	Min Length (L)	Number of Load Wheels
12"	72	24	2
9"	72	24	2
6"	48	24	1

- (L) Variable in even increments
- (A) Variable in 1" increments
- (H1) → (H2) = 5" Lift



Optional Equipment:

- Load Back Rest (60" Tall)
- Steel Load Wheels
- Steel Steer Wheels
- Grease Fittings (15)
- Skid Adapter – 3", 4", 5"
- Locking Casters
- Custom Paint Colors
- 2" & 2.5" Lowered Height Available