



www.PalletTruck.com

1-800-350-0011

WESLEY INTERNATIONAL

ROLL & REEL

4000-10,000 CAPACITY

Features:

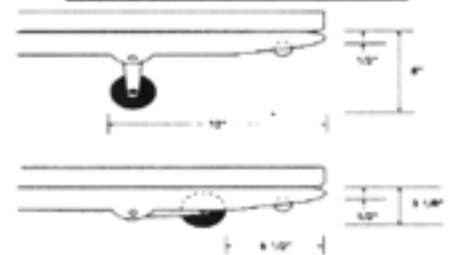
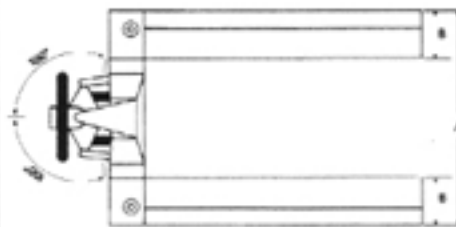
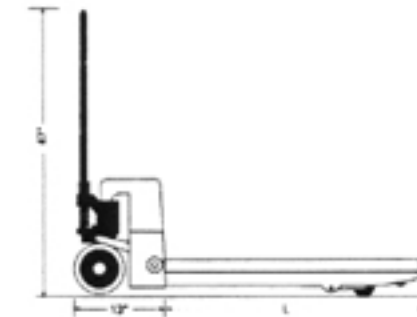
- Angled forks to cradle the roll.
- Polyurethane wheels bonded to an aluminum core w/ oversize bearings.
- One-piece solid ductile iron bellcrank.
- Solid 1" square push rods for strength.
- One-piece cast ductile iron load wheel forks.
- One-piece ductile iron pump housing, no welds to break or leak.
- Articulating steer wheel axle
- Stress proof axles / Grade 5 fasteners
- Cast steel fork toes.
- 7 Gauge fork material

Consult factory for exact sizes and pricing. Need to know:

Diameter _____
 Length _____
 Weight _____

Carrying Capacity by Diameter in inches.

Max. Diameter	Min. Diameter
80	56
70	50
60	44
56	40
50	38
44	34
40	30
36	28
34	26
25	18



Optional Equipment:

- Load Stabilizer Bar
- Steel Load Wheels
- Steel Steer Wheels
- Grease Fittings (15)
- Tandem Load Wheels
- Ramp, Ramp/Park Brake
- Custom Paint Colors
- Turnbuckle (required over 4000# or 48" long)
- 6K, 8K, and 10K weight capacities