



www.PalletTruck.com

1-800-350-0011

WESLEY INTERNATIONAL

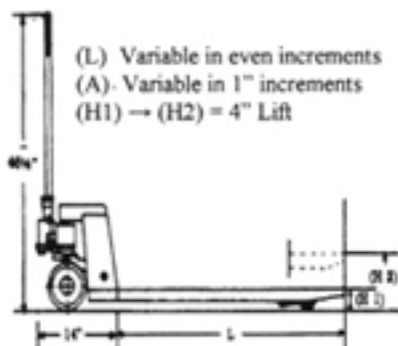
LOWERED HEIGHT

5000 / 6000 CAPACITY

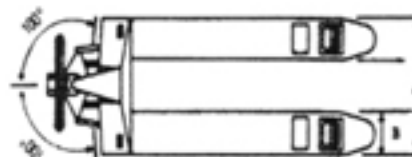
Features:

- Polyurethane wheels bonded to a steel core on 2.5" Lowered Height.
- Steel load wheels standard on 2" Lowered Height.
- One-piece solid ductile iron bellcrank.
- Solid 1 x 3" square push rods for strength.
- One-piece cast ductile iron load wheel forks.
- Steel entry wheel, for easy entry at lowered heights.
- One-piece ductile iron pump housing, no welds to break or leak.
- Internal self bleeding pump, easily rebuildable from seal kit.

Fork Width (B)	Max Length (L)	Min Length (L)	Max Width (A)	Min Width (A)	Maximum Capacity
6 1/8"	96	24	60	14	5000/6000
5"	72	24	60	14	3000
4"	48	24	60	14	2000
3"	48	24	60	14	1000



(L) Variable in even increments
 (A) Variable in 1" increments
 (H1) → (H2) = 4" Lift



Optional Equipment:

- Load Back Rest (60" Tall)
- Load Stabilizer Bar
- Steel Load Wheels (Standard on 2", poly available at n/c.)
- Steel Steering Wheels
- Grease Fittings (15)
- Skid Adapter - 3", 4", 5"
- Tandem Load Wheels
- Ramp, Ramp/Park Brake
- Custom Paint Colors