



www.PalletTruck.com

1-800-350-0011

WESLEY INTERNATIONAL

**CORROSION RESISTANT**

## 5000 / 6000 CAPACITY

### Features:

Polyurethane wheels bonded to an aluminum core w/ grease fitting.

Stainless Steel linkage, all axles, pump piston, plunger, lift ram.

Grease fittings at all pivot points.

Low temperature hydraulic fluid prevents freezing, to 72° below zero.

7-gauge frame construction w/ cast steel fork ends, aluminum entry wheel.

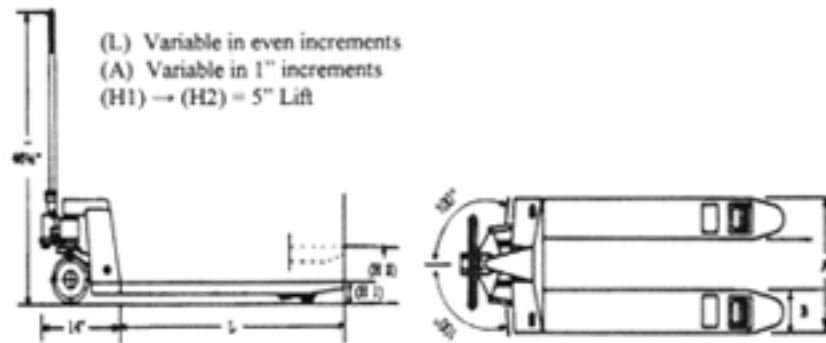
One-piece solid ductile iron bellcrank.

Solid 1 x 3" square push rods for strength.

One-piece cast ductile iron load wheel forks.

One-piece ductile iron pump housing, no welds to break or leak.

Fork Width (B)	Max Length (L)	Min Length (L)	Max Width (A)	Min Width (A)	Maximum Capacity
6"	96	24	60	14	5000/6000
5"	72	24	60	14	3000
4"	48	24	60	14	2000
3"	48	24	60 <td 14	1000	



### Optional Equipment:

Load Back Rest (60" Tall)  
 Load Stabilizer Bar  
 Steel Load Wheels  
 Steel Steer Wheels

Skid Adapter – 3", 4", 5"  
 Tandem Load Wheels  
 Ramp, Ramp/Park Brake