



www.PalletTruck.com
1-800-350-0011

WESLEY INTERNATIONAL

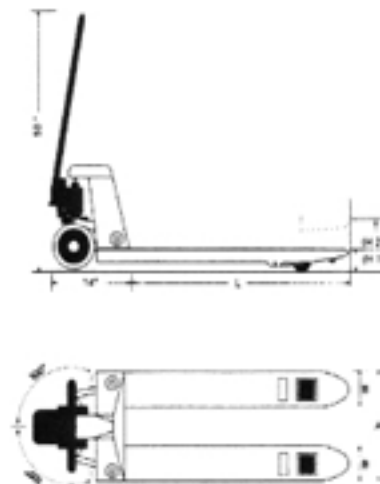
6500 CLASSIC

6500 CAPACITY

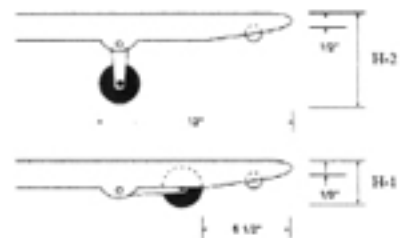
Features:

- Polyurethane wheels bonded to an aluminum core w/ oversize bearings.
- Independent solid ductile iron bellcranks.
- 1/4" fork material for strength.
- Cast steel fork ends.
- Solid 1 x 3" push rods for strength.
- One-piece cast ductile iron load wheel forks.
- Stress proof axles / Grade 5 fasteners
- Readily available parts, same day shipping from stock.

Lowered Height (H-1)	Raised Height (H-2)	Max Length (L)	Min Length (L)	Max Width (A)	Min Width (A)
3.125"	8	96	24	60	18
2.5"	6.25	72	24	60	18
2"	6	72	24	60	18



(L) Variable in even increments
(A) Variable in 1" increments
(H1) → (H2) = 5" Lift



Optional Equipment:

- Load Back Rest (60" Tall)
- Load Stabilizer Bar
- Steel Load Wheels
- Steel Steer Wheels
- Grease Fittings (15)
- Skid Adapter – 3", 4", 5"
- Tandem Load Wheels
- Ramp, Ramp/Park Brake
- Custom Paint Colors