



www.PalletTruck.com

1-800-350-0011

WESLEY INTERNATIONAL

2.9" LOWERED HEIGHT

5000 / 6000 CAPACITY

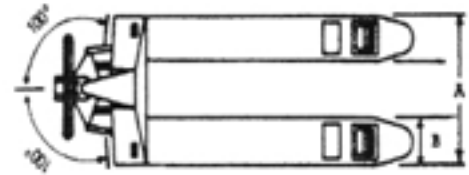
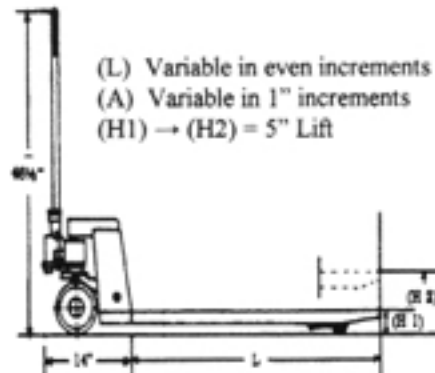
Features:

- Polyurethane wheels bonded to a steel sleeve w/ oversize bearings.
- One-piece solid ductile iron bellcrank.
- Solid 1" square push rods for strength.
- One-piece cast ductile iron load wheel forks.
- One-piece ductile iron pump housing, no welds to break or leak.
- Internal self bleeding pump, easily rebuildable from seal kit.
- Three position pump w/ neutral
- Articulating steer wheel axle
- Stress proof axles / Grade 5 fasteners
- Readily available parts, same day shipping from stock.

6000 Additional Features:

- Cast steel fork toes, Braced
- 7 Gauge fork material, 6" wide
- 80 durometer polyurethane on steel load wheel

Fork Width (B)	Max Length (L)	Min Length (L)	Max Width (A)	Min Width (A)	Maximum Capacity Lbs.
6.25"	144	24	72	14	5000/6000
5"	96	24	72	14	3000
4"	60	24	72	14	2000
3"	48	24	72	14	1000



Optional Equipment:

- Load Back Rest (60" Tall)
- Load Stabilizer Bar
- Steel Load Wheels
- Steel Steer Wheels
- Grease Fittings (15)
- Skid Adapter - 3", 4", 5"
- Tandem Load Wheels
- Ramp, Ramp/Park Brake
- Custom Paint Colors